

asalvo
baby

TRAVEL COT COMPLETA

INSTRUCTIONS

REF.: 15303 - 18205 - 18212 - 18229 - 19714 - 19721



**IMPORTANT:
RETAIN FOR FUTURE REFERENCE,
PLEASE READ CAREFULLY**

**This cot meets the standard
EN 716-1:2017+AC:2019&EN 716-2:2017
Mattress compliant to Normative:
EN16890:2017**

CE applies only to toy bar

**Changer compliant to Normative:
EN12221-1/2:2008 +A1:2013**

Toy bar. EN 71-1

Dear Customer,

Thank you for purchasing Asalvo product. We are delighted that you have chosen us and we hope you are satisfied with its use. We recommend you read carefully this manual instruction and keep it safe for future references. To avoid risking the health of the baby, pay special attention on the use and maintenance of the product, as this will allow you to enjoy the product for a long period.

Please read these instructions carefully before using the product. If you do not pay attention to these instructions, you can compromise the security of the child..

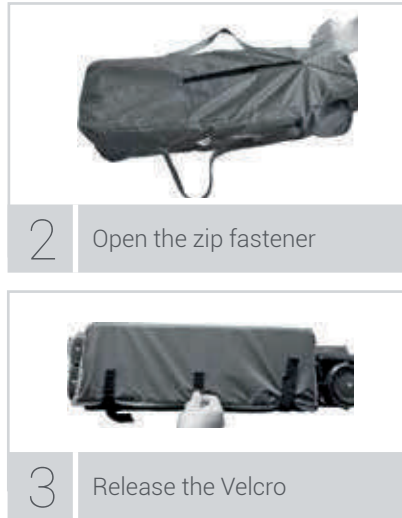
BOX CONTENTS

This box contains the product: " TRAVEL COT ", composing of: Carrying case, padded base, elevator, and changer, arc with play toys and two wheels with brake. This product complies with current European regulations EN 716-1:2017+AC:2019&EN 716-2:2017. For the changer feature complies with the standard EN: 12221-1/2:2008 +A1:2013 and for the arc with play toys the EN:71-1. Mattress EN: 16890:2017

CLARIFICATIONS ON CARE AND USE OF THE PRODUCT

1. The materials and procedures used in the manufacture of this product, comply with the standards EN716-1:2017+AC:2019&EN716-2:2017. We recommend that you do not expose the product to the sun for a long time. The fading of color on the textile of the product due to long exposure to the sun does not constitute for a complaint. Textiles in this travel cot can be washed by hand using cold water.
2. Regular care and maintenance will extend the life of the product. The influence of the environment such as salty air, acid rain and leaving the product free to air, contributes to the corrosion of the product. Always store the product under the roof. If you pay attention to these usage tips, you will enjoy the product for a long period of time.

TO REMOVE THE TRAVEL COT FROM THE BOX

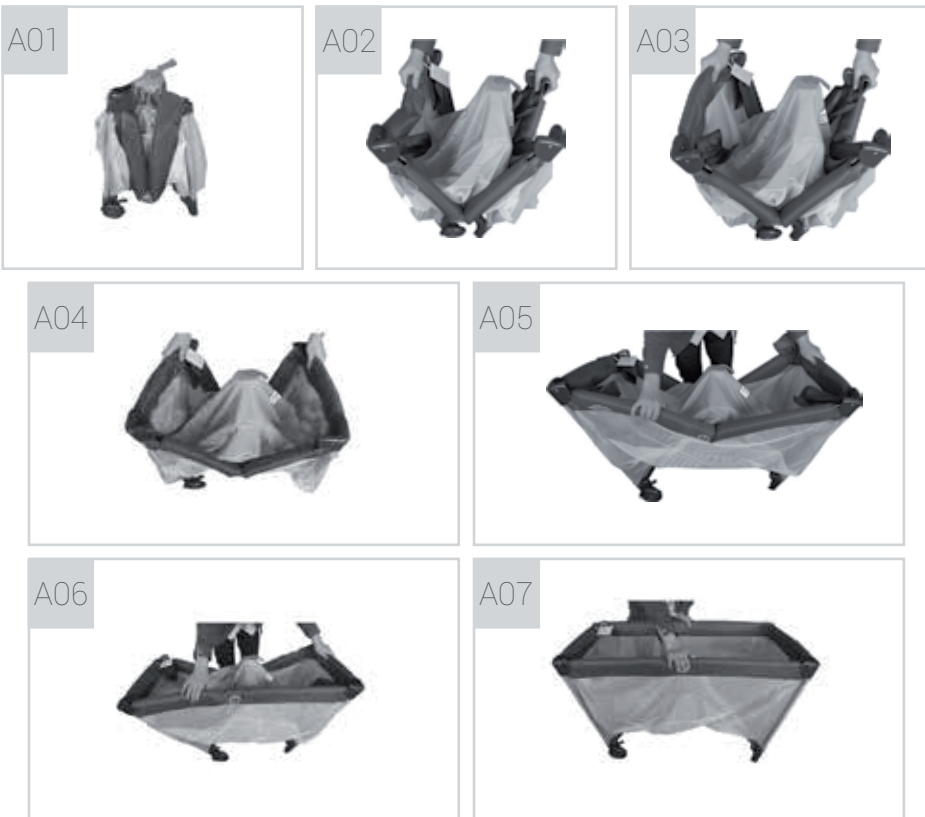


INCLUDED PARTS

1. Manual
2. Mattress
3. Travel cot
4. Elevator
5. Arc with toys
6. Changer
7. Check that all parts are included
8. Check the manual before using this travel cot

HOW TO OPEN THE TRAVEL COT

1. Make sure you have enough space before opening the travel cot.
2. Procedure - opening the travel cot



A01- Put the travel cot on its foot

A02- Lift the travel cot by the final part of the narrower side to fix it, avoiding lift by the central part. If it stalls, try it several times.

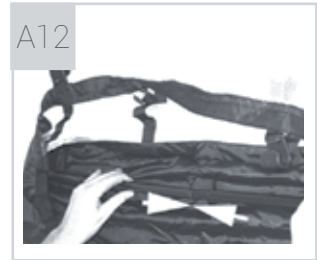
A03- After A02, make sure that the bar does not go down, so the procedure is right.

A04- Same procedure for A02 and A03.

A05 - A06: Use the same procedure for A02 / A03 / A04 for the lengthy sides of the travel cot.

A07- Confirm that each lateral (bar) side is firm enough to avoid it from going down.

A08- Move a leg out, and make sure that you have enough space to open the cradle according to A09.



A09- Push the central part of the travel cot downwards as shown in the photo.

A10 - The structure of the travel cot is now assembled successfully.

A11 - Put the mattress down and with help of the Velcro pass them tapes through each slot to fix it firmly to the base.

A12 - If you want to use the elevator, place the tubes as shown in the photo
To place the changer, use the zipper placed in it, in one of the headboards of the travel cot.
The changer to the cradle using the zipper.

Note: When using crib, the mattress must be in the lowest position and firmly subject to the base. In case of using elevator, must be firmly subject to this before being used.

POSSIBLE PROBLEMS AND SOLUTIONS



A13- Problem - As in the photo.

A14- Solution - Hold the base tape and lift. Then repeat steps A02-A03-A07-A08-A09.

FOLDING THE TRAVEL COT (the optimal form)

B01



B02



B03



B04



B05



B06



B07



B08



B09



B00- Remove changer , elevator and toymaker bow before anything else.

B01- Separating the Velcro, remove the mattress from the base of the travel cot.

B02- Look for the Red Ribbon of the base.

B03 / (O B04) / B05 - according to B03 holding the travel cot with one hand, lift the tape with the other as in B04. An optimal way is to lift the tape while two fingers at least touch the base. B03 or B04 anyway, the base must be raised to the height of the hand.

B06 / B07 - Look for the connector in the middle of the biggest side and tighten it to take it down to her bottom and let it in V-shaped as shown in the figure.

B08- Use the same procedure to B06, B07, to fold all the short sides.

B09- is now successfully folded .

B10 / B11 / B12 / B13 / B14 - Wrap the cot in the mattress.

B10



B11



B12



B13



B14

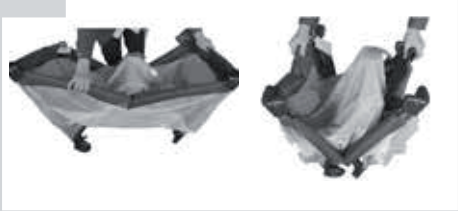


POTENTIAL PROBLEMS IN FOLDING

B15



B16



B15 - Problem: The travel cot cannot be folded.

B16 - Solution: according to the steps, repeat B06-B07-B08. The key is to squeeze each connection (in the sidebars) and each top side down (leave with V-shaped before lifting the base).

B17



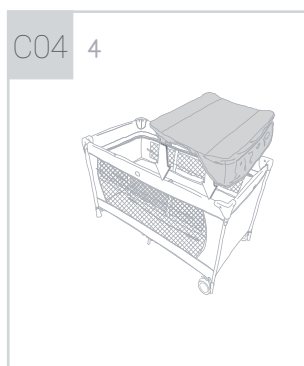
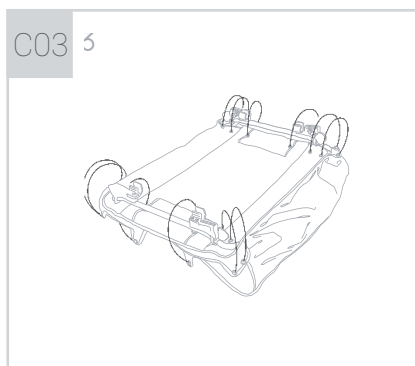
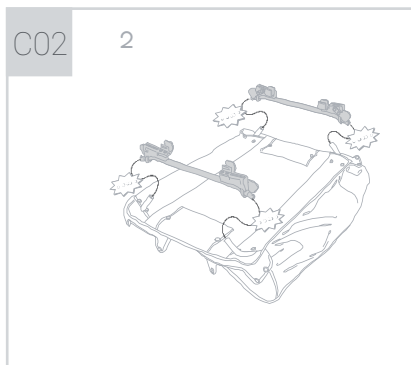
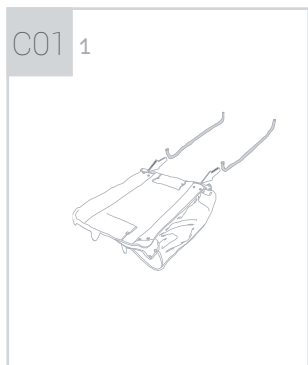
B18



B17 - Problem: the tape cannot easily lift the base.

B18 - Solution: push the base down and repeat from B03 to B14.

TO ASSEMBLE THE CHANGING TABLE



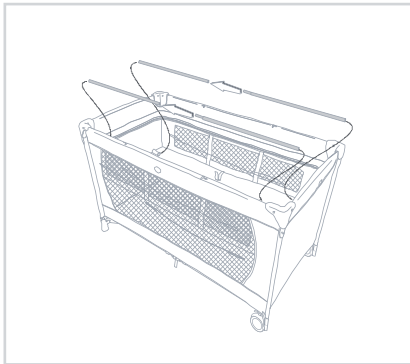
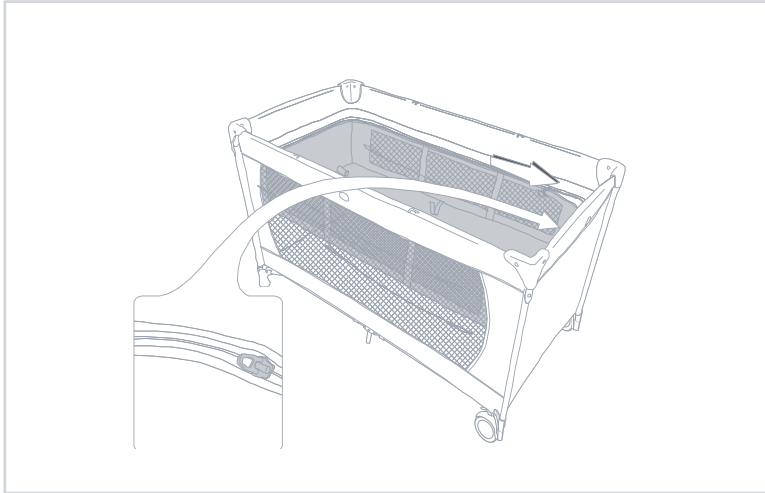
C01 - Place the short tubes which have the labels "A" or "B" in the structure of the changer, associating each short tube with long tube containing the same letter "A" or "B". Run each short tube through the hole of the changer fabric; for this, release before the closures for velcro. Once the tubes are attached and set correctly, refasten the Velcro.

C02 Attach the changer to the travel cot, making sure the 4 lace of plastic that have the tubes locked and fixed to the Travel Cot. For this, we must press the changer until is firmly attached to the Travel Cot.

C03- The changer has to be placed in one of the two ends of the travel cot, so that it is possible to fix the two other lace of plastic to the headboard of said end.

C04 - Once the 6 lace is placed (2 in each side and 2 in the headboard), do pass the fabric that is located in the end of the changer so the two corners of said end are covered by it. Anchor the changer to the cradle with the two security strips

INSTALLATION OF THE ELEVATOR

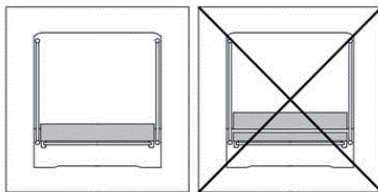


- The Elevator has to be fixed to the Travel Cot with the help of the zipper
- Once the rear zipper is completely fixed and the buckle attached to the cot, secure it with Velcro.
- Place the 4 metal pipes in the loops of the fabric which is at the bottom of the elevator. Attach the pipes of 2 in Fig.2.
- Surround the tubes with adhesive fastening tapes that exist in the center of the height adjuster.
- The padded mattress should be placed so it is blocked due to the lower corners fastening straps.

WARNING

SECURITY INSTRUCTIONS

- **WARNING!:** Never leave your baby in the cot unattended.
- **WARNING!:** Make sure all safety latches are properly locked.
- **WARNING!:** The assembly fittings should always be properly adjusted and should be checked periodically; and if necessary, readjusted.
- **WARNING!:** Be aware of the risk of open fire and other sources of strong heat, such as electric bar fires, gas fires, etc. in the near vicinity of the cot.
- **WARNING!:** Do not use the cot if any part is broken, torn or missing and use only spare parts approved by the manufacturer.
- **WARNING!:** Do not leave anything in the cot or place the cot close to another product, which could provide a foothold or present a danger of suffocation or strangulation, e.g. strings, blinds/curtain cords, etc ...
- **WARNING!:** Do not use the cot when the child is able to get out of it in order to prevent the risk of falls.
- **WARNING!:** All parts of the cot must be properly positioned so that the baby can never be punctured or snagging your clothing or accessories (pacifiers chains, shoelaces, ...)
- **WARNING!:** This product is suitable for children up to 15 kilograms or 86 cm.
- **WARNING!:** The cot is ready for use only when the locking mechanisms are in place: this operation must be checked before using the cot.
- **WARNING!:** Do not use more than one mattress in the cot.
- **WARNING!:** The lowest position is the safest and that the base should always be used in that positions as soon as the baby is old enough to sit up.
- **WARNING!:** Only use the mattress sold with this cot, do not add a second mattress on this one, suffocation hazards



WARNING

· **WARNING!:** Attach this toy out of the reach of the child. To prevent possible injury by entanglement, remove this toy when the child starts trying to get up on its hands and knees in a crawling position.

A sticker is affixed to the chassis of the chair on which the reference number and batch number of the product are printed. DO NOT REMOVE THIS STICKER. This sticker must remain on the product for any claim.

This item has a warranty as stipulated by law 23/2003 of 10 July. Keep the purchase receipt, as it is essential to provide it in the store where you purchased the product in order to justify the validity thereof against any complaint. Excluded from this warranty are defects or damage caused by improper use of the product or failure to comply with the safety and maintenance regulations described in the instruction sheets and on washing labels, as well as the normal wear and tear from day-to-day use.

Thank you

FOR PURCHASING
ASALVO PRODUCT.



www.asalvo.com

Follow us



Importado por Estar Asalvo S.L.
CIF B91234286

Pol. Ind. Hacienda Dolores, C/Dos, 2 · 41500 · Alcalá de Guadaíra · Sevilla
Telf.: 955 631 407 · Fax: 955 631 205 · email: info@asalvo.com

www.asalvo.com